

Wednesday 10.6.20

Maths

Arithmetic

$13 + \square + 96 = 119$	$\square + 19 + 12 = 115$	$52 + 7 + 69 = \square$	$35 + \square + 51 = 147$
---------------------------	---------------------------	-------------------------	---------------------------

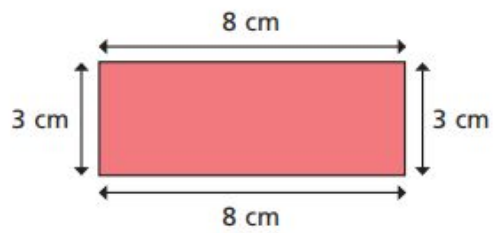
$71 + \square + 53 = 180$	$\square + 35 + 9 = 103$	$38 + \square + 96 = 180$	$\square + 66 + 57 = 182$
---------------------------	--------------------------	---------------------------	---------------------------

$\square + 32 + 5 = 127$	$\square + 63 + 75 = 199$	$18 + \square + 29 = 73$	$\square + 29 + 29 = 74$
--------------------------	---------------------------	--------------------------	--------------------------

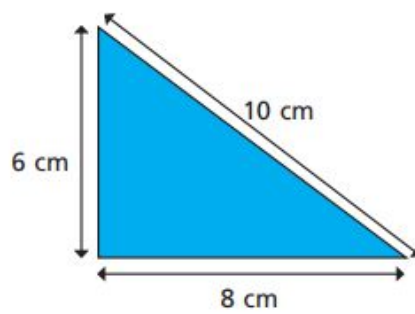
WALT Calculate the perimeter of rectangles and other shapes.

2 Calculate the perimeter of these shapes.

a)

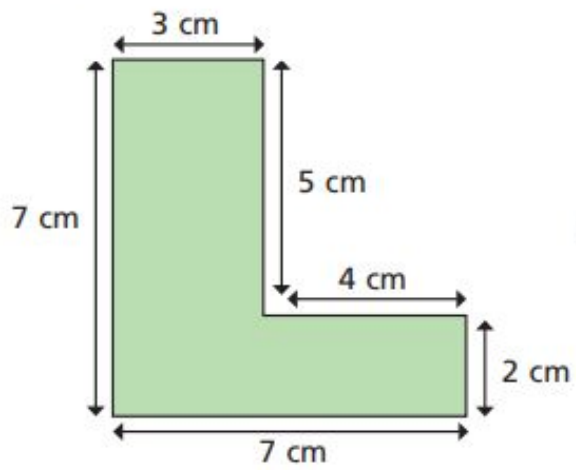


b)

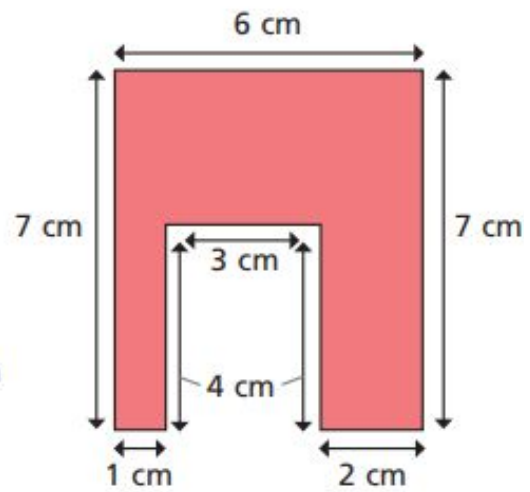


3 Calculate the perimeter of these shapes.

a)



b)



Answers

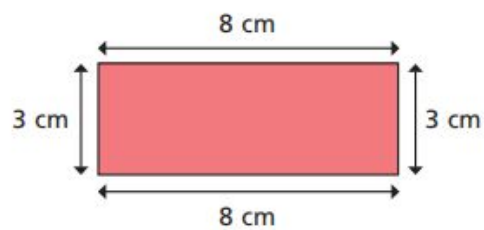
$$13 + \boxed{10} + 96 = 119 \quad \boxed{84} + 19 + 12 = 115 \quad 52 + 7 + 69 = \boxed{128} \quad 35 + \boxed{61} + 51 = 147$$

$$71 + \boxed{56} + 53 = 180 \quad \boxed{59} + 35 + 9 = 103 \quad 38 + \boxed{46} + 96 = 180 \quad \boxed{59} + 66 + 57 = 182$$

$$\boxed{90} + 32 + 5 = 127 \quad \boxed{61} + 63 + 75 = 199 \quad 18 + \boxed{26} + 29 = 73 \quad \boxed{16} + 29 + 29 = 74$$

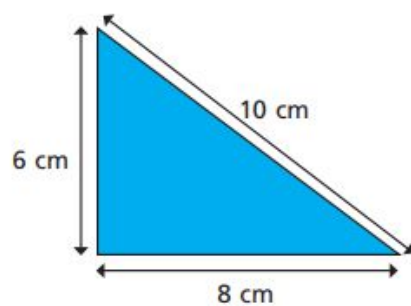
2 Calculate the perimeter of these shapes.

a)



22 cm

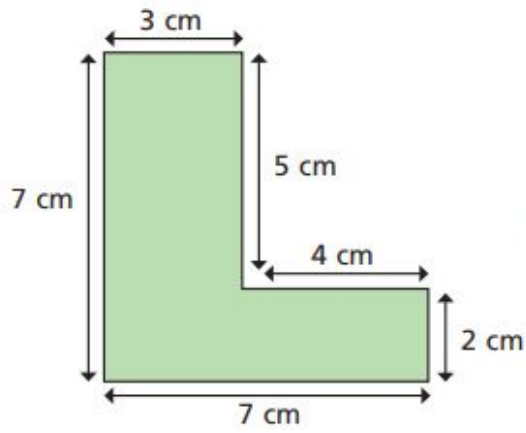
b)



24 cm

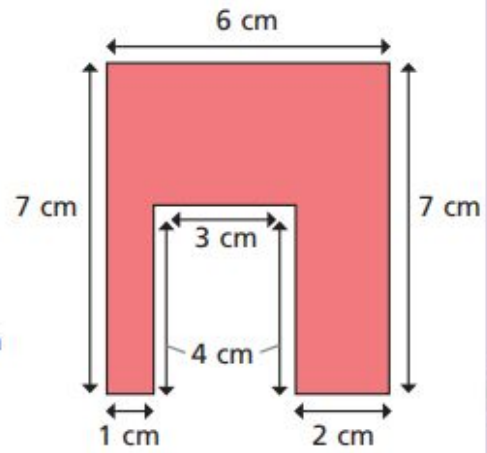
3 Calculate the perimeter of these shapes.

a)



28 cm

b)



34 cm