

Friday 19th June 2020

Maths

WALT Measure the area of 2D shapes

Arithmetic Practise

Reduce these fractions down to their simplest form.

$$\frac{2}{4} =$$

$$\frac{4}{6} =$$

$$\frac{4}{8} =$$

$$\frac{3}{9} =$$

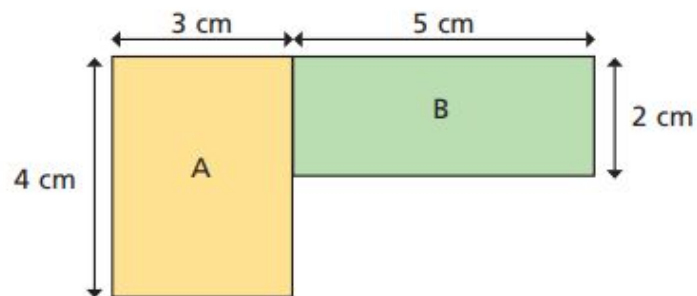
$$\frac{2}{6} =$$

$$\frac{2}{16} =$$

$$\frac{4}{16} =$$

$$\frac{12}{16} =$$

2



a) Work out the area of rectangle A

area =

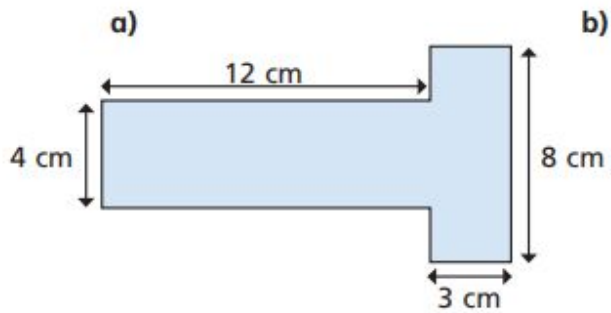
b) Work out the area of rectangle B

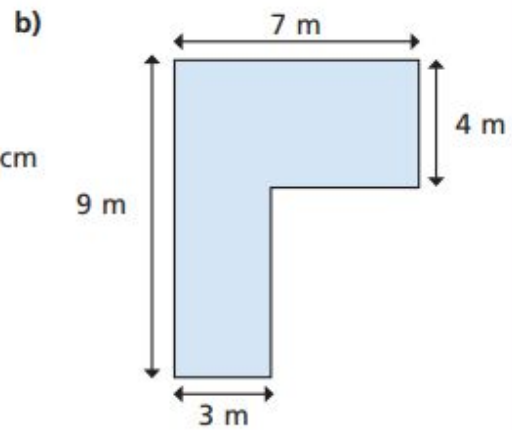
area =

c) Work out the area of the compound shape.

area =

- 3 Work out the area of each of the following shapes.  
Show all your working.






© White Rose Maths 2019

Answers

$$\frac{2}{4} = \frac{1}{2}$$

$$\frac{4}{6} = \frac{2}{3}$$

$$\frac{4}{8} = \frac{1}{2}$$

$$\frac{3}{9} = \frac{1}{3}$$

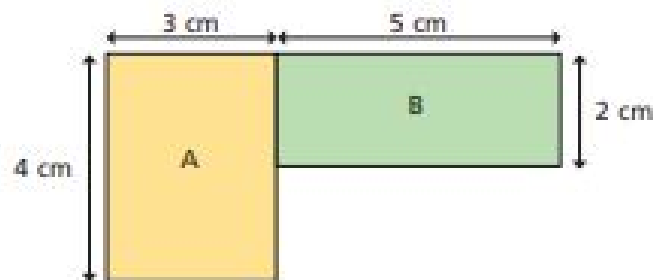
$$\frac{2}{6} = \frac{1}{3}$$

$$\frac{2}{16} = \frac{1}{8}$$

$$\frac{4}{16} = \frac{1}{4}$$

$$\frac{12}{16} = \frac{3}{4}$$

2



a) Work out the area of rectangle A.

area =  $12\text{ cm}^2$

b) Work out the area of rectangle B.

area =  $10\text{ cm}^2$

c) Work out the area of the compound shape.

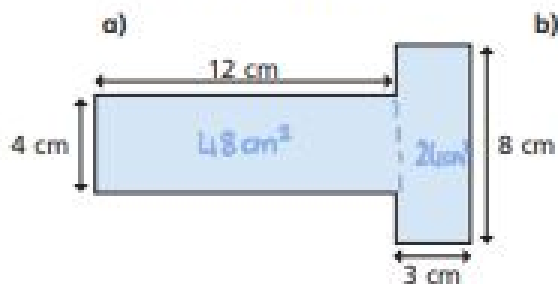
area =  $22\text{ cm}^2$

Talk about it with your partner.

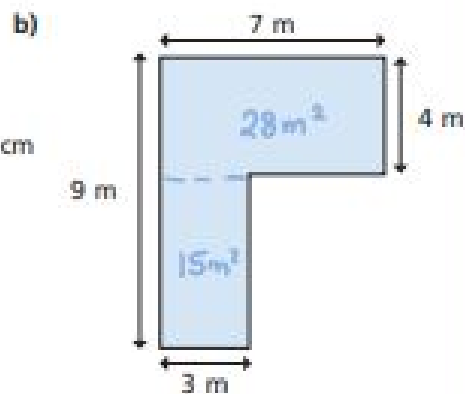
3

Work out the area of each of the following shapes.

Show all your working.



$72\text{ cm}^2$



$43\text{ m}^2$